

STELLAR AGGRESSOR™

28000 OTR



Efficient. Effective. Tough. The Stellar 28000 OTR series tire service crane fits the need of OTR tire service technicians who need something that can handle it all. The 28000 OTR series is the one to turn to when you need a reliable and dependable service truck. Without the tire manipulator the crane has a maximum lift capacity of 28,000 lbs. @ 10', 21,300 lbs. @ 13'2" and 17,200 lbs. @ 18'3". The 315° crane rotation is carried out through a turntable bearing with an external worm gear box. The hexagon shaped secondary and extension substantially increase boom strength over competitive square shaped booms, ensuring solid performance.



The performance of the 28000 OTR series can be refined by the addition of the TM16160 tire manipulator. The TM16160 increases versatility and productivity while providing a safe method to handling any OTR tire up to and including a 16,000 lb., 160" tire.



The 28000/TM16160 is designed to perform in mine and construction sites worldwide. The unique parallelogram design gives the TM16160 clamping widths of 56" to 161". The TM16160 also offers 215° body rotation and 360° continuous pad rotation. The features of the 28000/TM16160 help create one of the industries' most advanced tire manipulating machines.

Designed & Manufactured
in the USA

STELLAR
INDUSTRIES INC.

28000 OTR Series

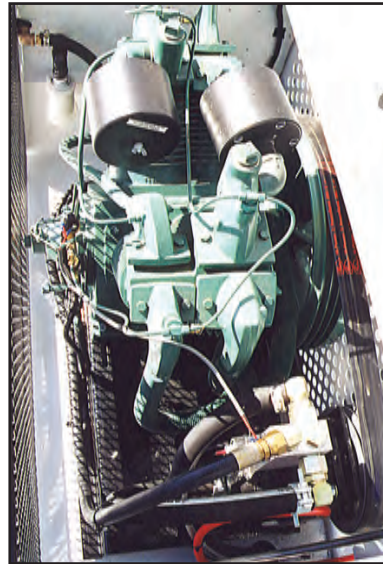
STELLAR AGGRESSOR™ 28000 OTR



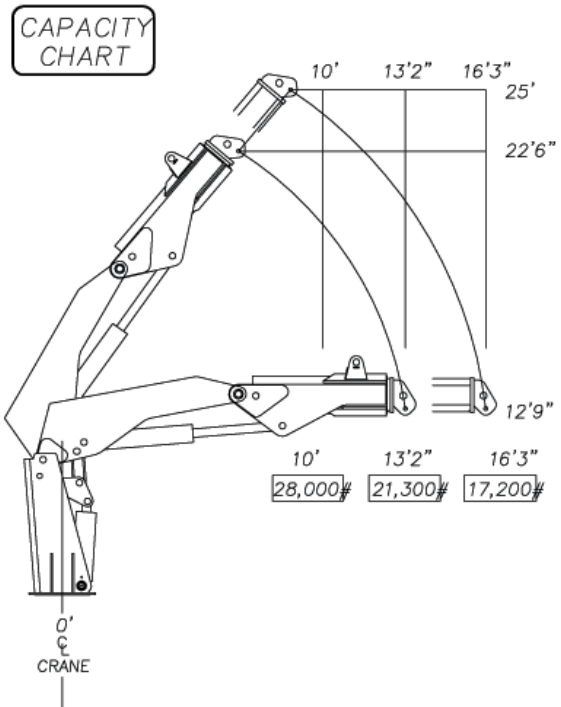
The 28000 OTR series truck has a rugged 20' heavy duty OTR body with 85 cubic feet of storage space. Each underbody compartment comes standard with slide top doors equipped with stainless steel automotive style slam latches. The storage compartment shown below is the main working compartment on the 28000/TM16160. It offers hose reels, a FLR, and tool storage at bed level and close to the working area.



The Stellar exclusive radio remote control system offers precise, smooth, multi-function crane operation. The paddle handle remote control box allows the crane operator to engage multiple crane functions with the same precision as manual controls. This system comes standard on all 28000 cranes.



Stellar's model SHD-245 air compressor is designed to meet the heavy duty OTR tire service industry. The industrial 4 - cylinder, 2 - stage compressor is powered by a hydraulic motor and outputs 110 CFM @ 175 PSI.



The chart below shows the lifting capacities and reach for the 28000 crane **without** the TM16160. TM16160 has a lifting capacity of 16,000 lbs.